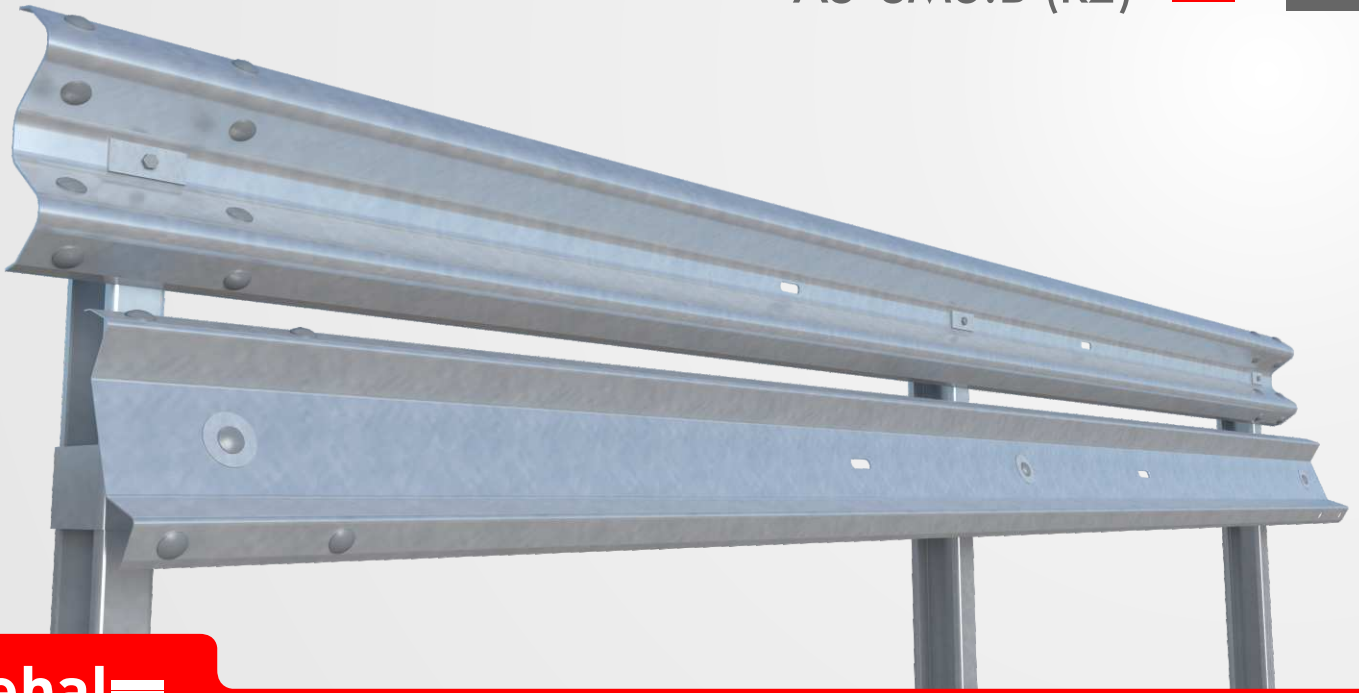


N2	W3	A	0,7 _m	Severity I UNE 135900
----	----	---	------------------	-----------------------------

AS-SM6.B (R2)  



asebal 

Vehicle Restraint System

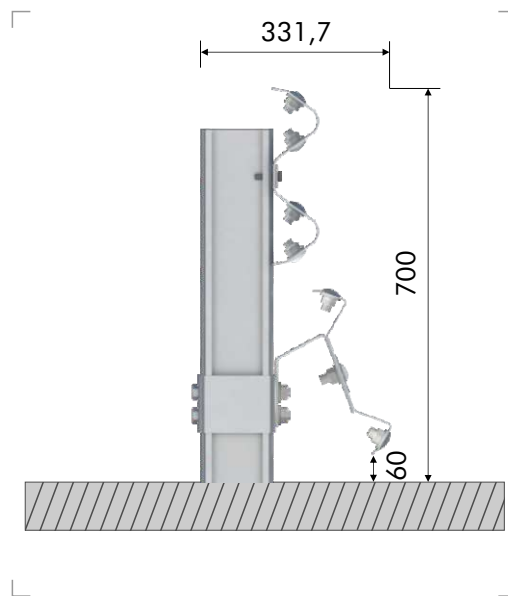
Definition

Single metal barrier reduced for lateral side with motorcyclist protection system. System formed by a double wave barrier, protective beam for motorcyclists and C posts 2 metres apart.

Performance parameters

Containment level	N2	Working width (W)	W3	Impact Severity	A	Dynamic Deflection (D)	0,7_m
Impact Severity level	I						

Profile

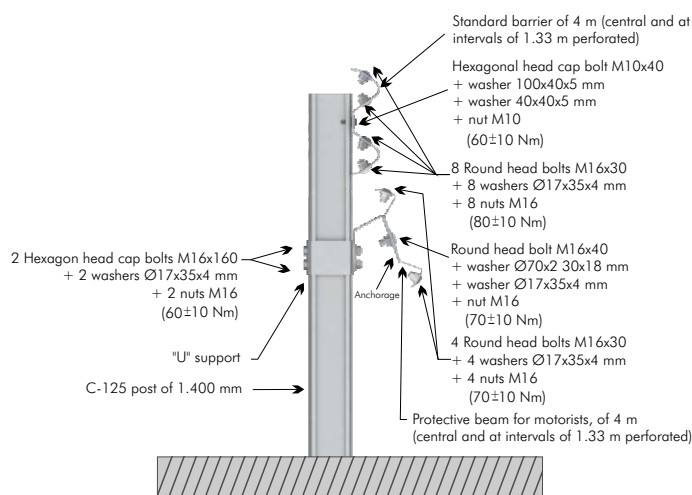




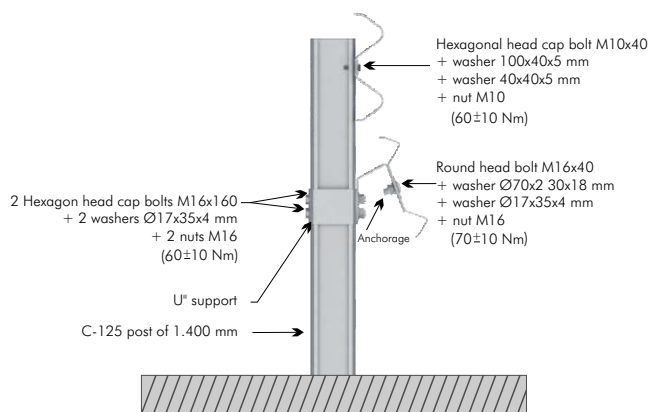
Components for sections of 4 m

Item	Part	Uds
1	Standard barrier of 4 m (central and at intervals of 1.33 m perforated)	1
2	C-125 post of 1,400 mm	2
3	Washer Ø17x35x4 mm	18
4	Hexagonal nut M16	18
5	Round head bolt M16x30 mm	12
6	Hexagon head cap bolt M10x40 mm	2
7	Washer 40x40x5 mm Ø11 for M10	2
8	Nut DIN 934 M10	2
9	Washer 100x40x5 mm with hole Ø11 for M10	2
10	Protective beam for motorist of 4 m (central and at intervals of 1.33 m perforated)	1
11	"U" support for C-125x75 post	2
12	Reduced anchorage for AS-SM6.B	2
13	Round head bolt M16x40 mm	2
14	Hexagon head cap bolt DIN 931 M16x160 MM	4
15	Reflector	0,5
16	Washer Ø70 mounting hole 30x18 MM	2

Fasteners



Detail of joint between barriers



Detail of joint in intermediate post