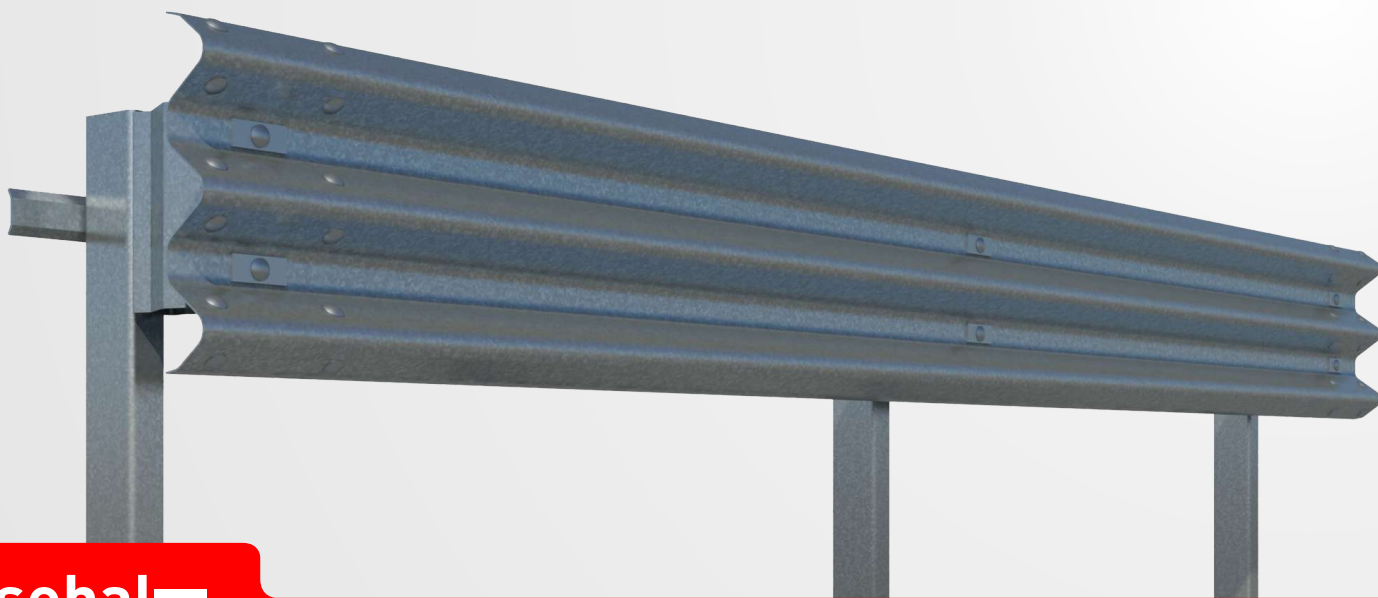


High Containment Level

MASH



AS-BL2.A



asebal

Vehicle Restraint System

Definition

Single metal barrier for lateral side. System formed by a triple wave barrier, spacer, brace and U posts 2 metres apart.

Impact Tests

TL-3 and TL-4 according to MASH



Test: 4-10 passenger car 1,100 Kg - 100 Km/h-25°
Test code: MASH003
Date: june 2014
Accredited laboratory: AISICO (Italy)



Test: 4-11: Pick-up 2,270 kg - 100 km/h - 25°
Test code: MASH002
Date: june 2014
Accredited laboratory: AISICO (Italy)



Test: 4-12: Truck 10,000 kg - 90 km/h - 15°
Test code: MASH001
Date: june 2014
Accredited laboratory: AISICO (Italy)

Performance parameters

Containment Level

TL-3 and TL-4 (MASH)

Dynamic deflection

1,40

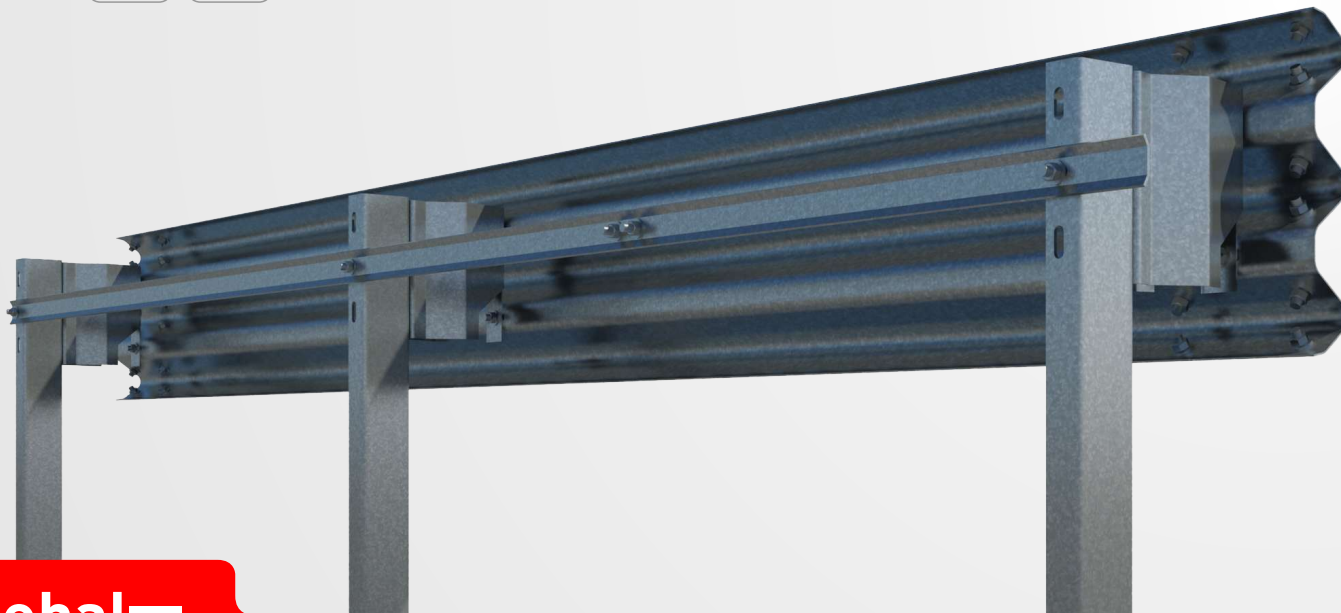
Severity

Preferred

High Containment Level
MASH



AS-BL2.A



asebal

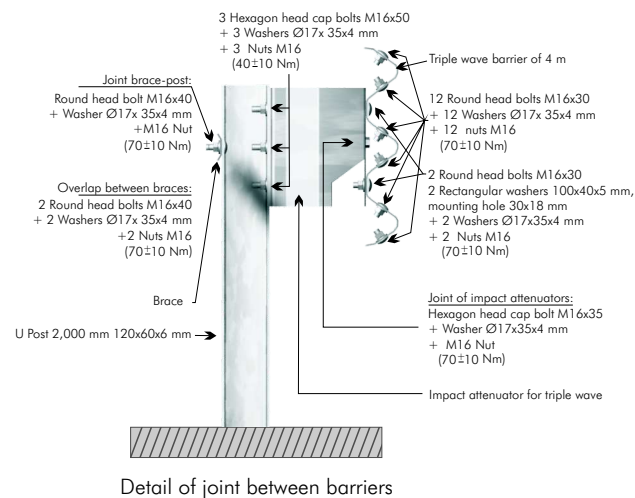
Vehicle Restraint System

Components for sections of 4 m

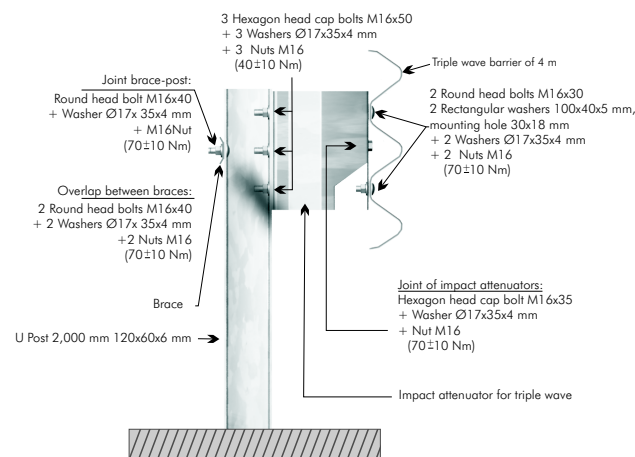
Item	Part	Uds
1	Triple wave barrier 4 m	1
2	U post - 120x60x6 mm of 2,000 mm	2
3	Impact attenuator for triple wave	2
4	Brace of 4,140 mm	1
5	Round head bolt M16x30, with nut	12
6	Round head bolt M16x40, with nut	8
7	Hexagon head cap bolt M16x50, with nut	6
8	Hexagon head cap bolt M16x35, with nut	2
9	Washer Ø17x 35x4 mm	28
10	Rectangular washer 100x40x5 mm, mounting hole 30x18 mm	4
11	Reflector	1

Note for the beginning and end of the section:
For each section it incorporates a brace of 3,110 mm and another brace of 1,110 mm.

Fasteners



Detail of joint between barriers



Detail of joint in intermediate post